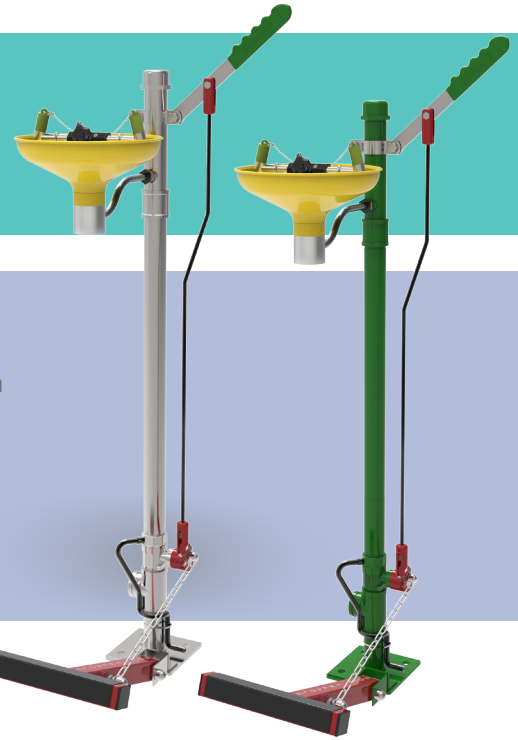


# Product Datasheet

## EXP-SD-75G/P EXP-SD-75GS/P Emergency Eye/Face Wash - *Plumbed in*



Pedestal mounted self-draining emergency eye/face wash with open ABS bowl, suitable for hot climates. The design allows standing water to drain away from the standpipe to ensure the delivery of tepid water. Featuring twin spray nozzles protected by dust covers. When activated via the push plate, the water jets lift off the dust covers. The eye wash diffusers are fitted with fine mesh strainers and individual flow controllers designed to give a gentle flow of aerated water.

Available with either galvanised or 316L stainless steel pipework.

## Specifications

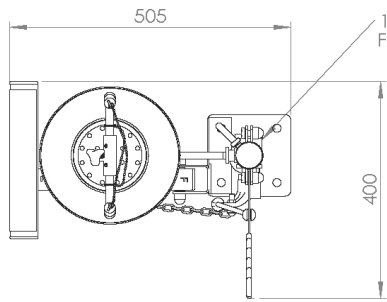
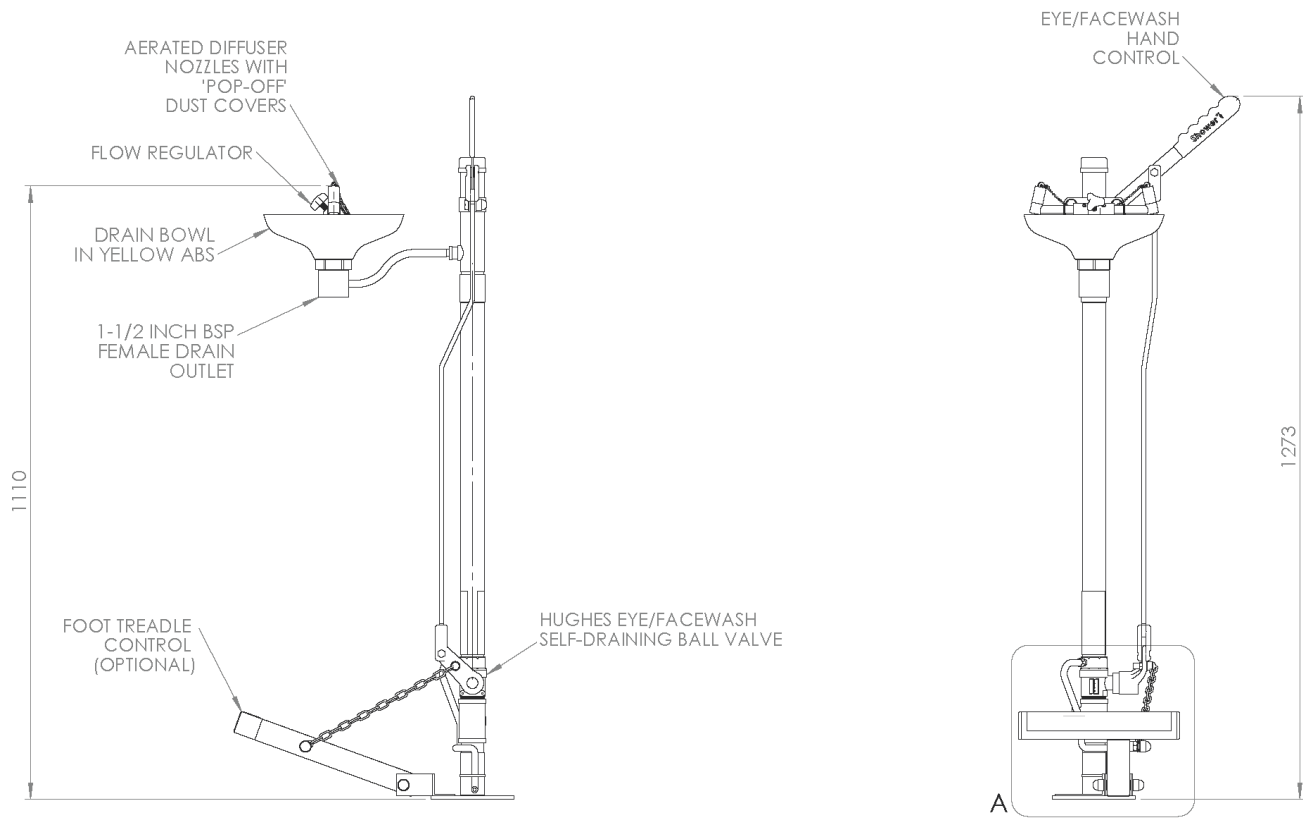
| MATERIALS OF CONSTRUCTION               |  |
|---|--|
| PIPEWORK AND FITTINGS (G)               | Galvanised mild steel with 150lb medium wall tubulars and fittings   |
| PIPEWORK AND FITTINGS (GS)              | 316L stainless steel with 150lb medium wall tubulars and fittings  |
| EYE/FACE WASH BOWL/LID                  | ABS plastic  |
| EYE/FACE WASH DIFFUSERS                 | Chrome plated brass with stainless steel mesh  |
| STANDARD FINISH (Galvanised mild steel) | Green powder coated (alternative colours available)  |
| STANDARD FINISH (Stainless steel)       | Polished brush finish (paint options available)  |
| SERVICES                                |  |
| WATER INLET                             | 1 <sup>1</sup> / <sub>4</sub> " Female BSP   |
| DESIGN OPERATING PRESSURE               | 2.0 to 6 BAR G (29 to 87 PSI)<br>(higher supply pressures accommodated with the incorporation of the optional pressure reducing valve) |
| TEST PRESSURE                           | 10.3 BAR G (149 PSI)   |
| MINIMUM FLOW RATES                      | 12 litres/minute minimum (3 US Gallons)  |
| ENVIRONMENTAL OPERATING TEMPERATURE     |  |
| MINIMUM AMBIENT OPERATING TEMPERATURE   | 5° C (41° F)   |
| MAXIMUM AMBIENT OPERATING TEMPERATURE   | 35° C (95° F)  |
| ACTIVATION/OPERATION                    |  |
| EYE/FACE WASH OPERATION                 | Push plate operated (optional foot treadle control for hands free operation)   |
| WEIGHTS and DIMENSIONS                  |  |
| DIMENSIONS (WxDxH)                      | 400mm (15.7in) x 505mm (19.9in) x 1273mm (50.1in)  |
| WEIGHT                                  | 10kg (22lb)  |

View our Guide to the ANSI/ISEA Z358.1-2014 International Standard for Emergency Eyewash and Shower Equipment at [www.hughes-safety.com](http://www.hughes-safety.com)

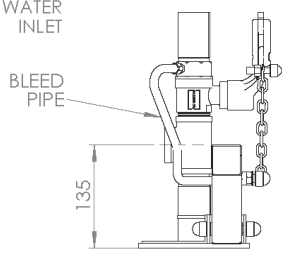


**EXP-SD-75G/P**  
**EXP-SD-75GS/P**

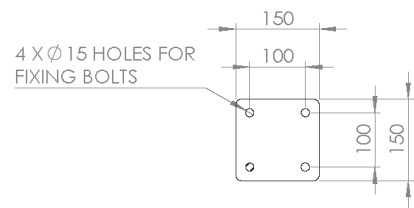
Emergency Eye/Face Wash - Plumbed in



PLAN VIEW



DETAIL A  
 CUT BACK FOR CLARITY



FIXING DETAIL

**HUGHES**



**HUGHES-SAFETY.COM**

a Justrite® Group Company

Hughes Safety Showers Ltd, Whitefield Road, Bredbury, Stockport SK6 2SS UK.

Email: [info@hughes-safety.com](mailto:info@hughes-safety.com)

Tel: +44 (0)161 430 6618

Registered No. 0939240. VAT Registration No. 918 5005 32. Hughes Safety Showers Ltd is a Justrite Group Company.

V1.1